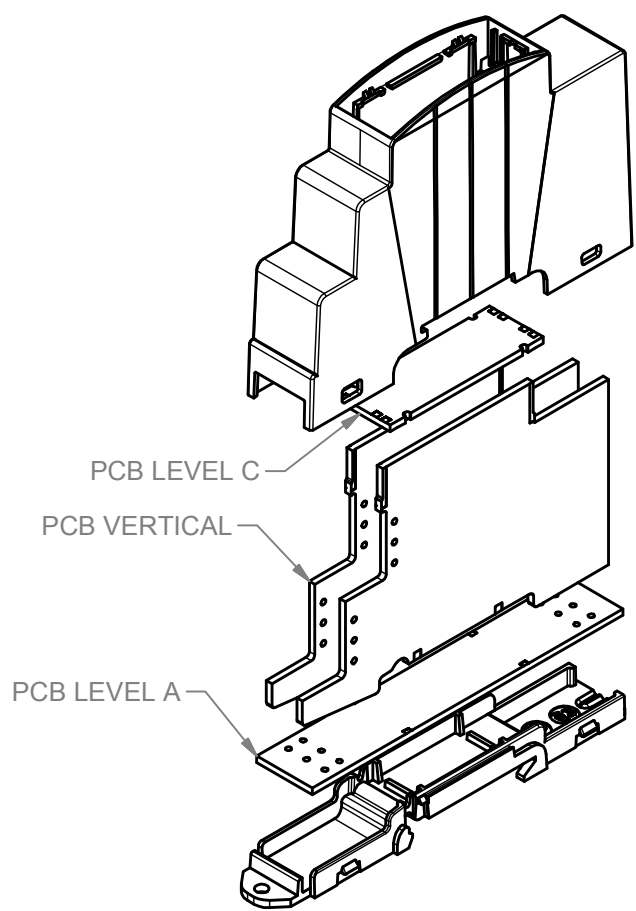
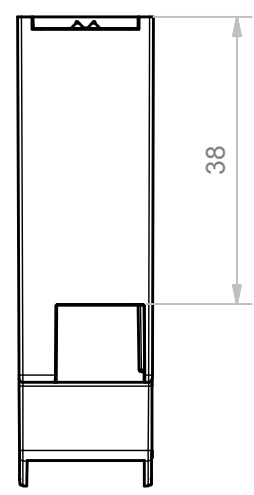
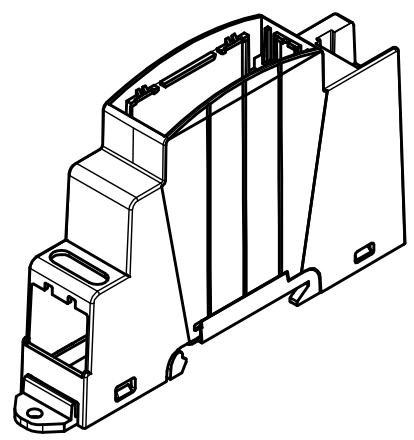
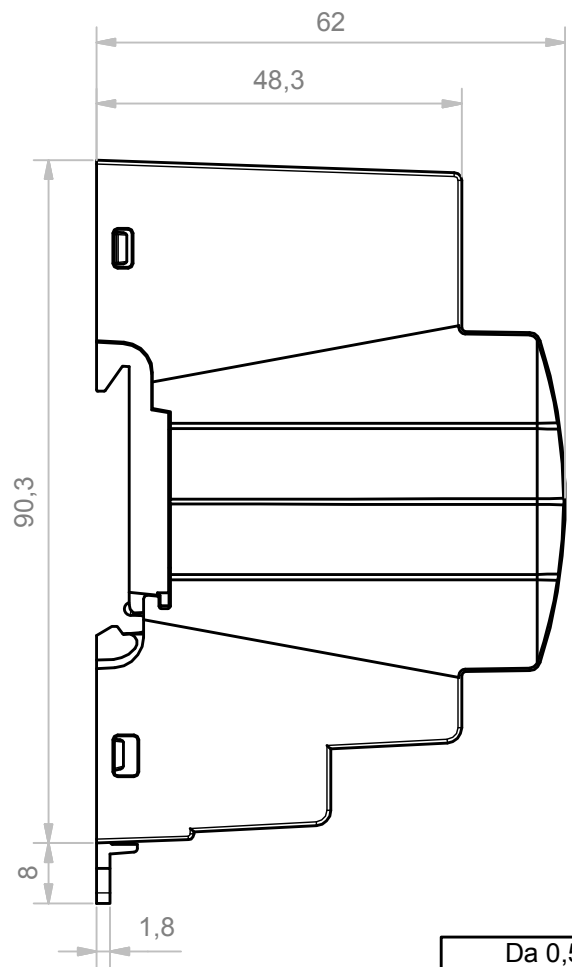
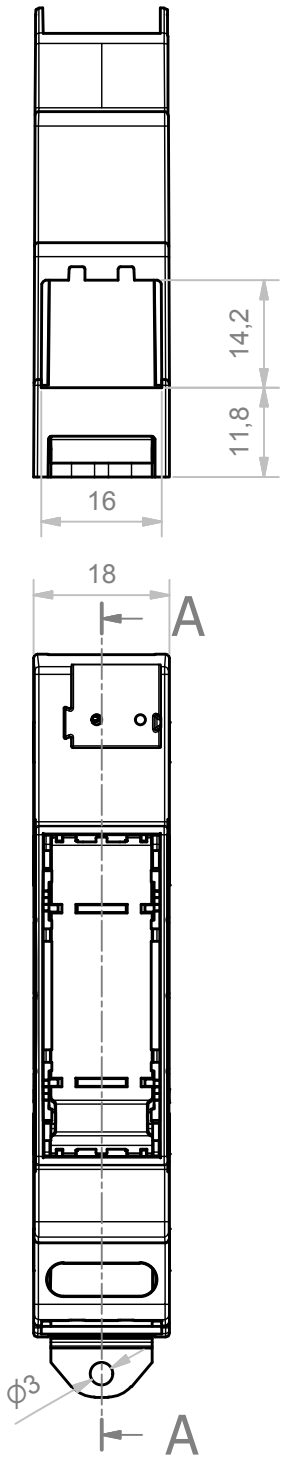
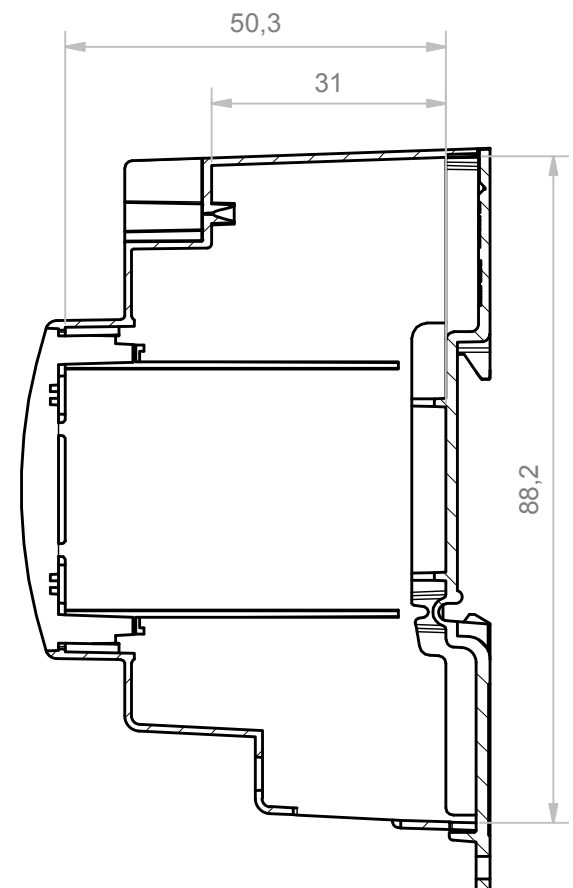


EXAMPLE OF POSITION PCB



A-A (1:1)



Da 0,5 a 3	Oltre 3 fino a 6	Oltre 6 fino a 30	Oltre 30 fino a 120	Oltre 120
± 0,1	± 0,1	± 0,2	± 0,3	± 0,5

RESERVED PROPERTY The present drawing cannot be reproduced or communicated to 3d parties, even partially, without the authorization of ITALTRONIC Srl. Italtronic reserves to protect its own rights according to the law.	Dimension in mm	SHEET NR.	DRAWING BY	GENERAL TOLERANCE UNI EN 22768/1 Media (m)
		1 / 1		
Drawn: Rigato N.	Checked: Dalla Montà D.	Date: 03/07/2015	Replace nr.	Revision description

Denomination:

Contentore completo Modulbox 1M53-B1FKNX XTS

Complete enclosure Modulbox 1M53-B1FKNX XTS

Plastic+ Group
 UN PARTNER PER IL FUTURO

ITALTRONIC S.R.L.
 VIA AUSTRIA 25/D 35127
 PADOVA - ITALY
www.italtronic.com

Drawing nr. **M-06131-00**

5	4	3	2	1
---	---	---	---	---